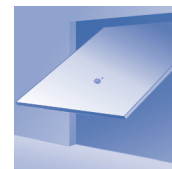


DF 98 Up-and-Over Doors

with steel and timber infill

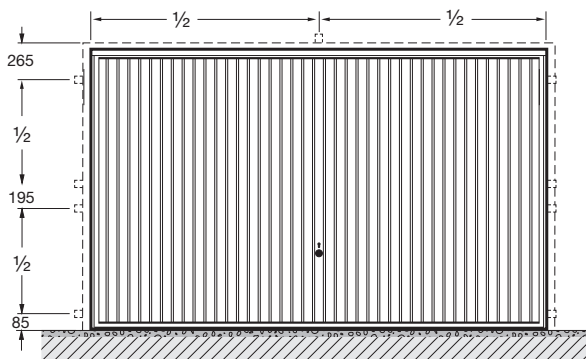
Product Description/Fitting Dimensions



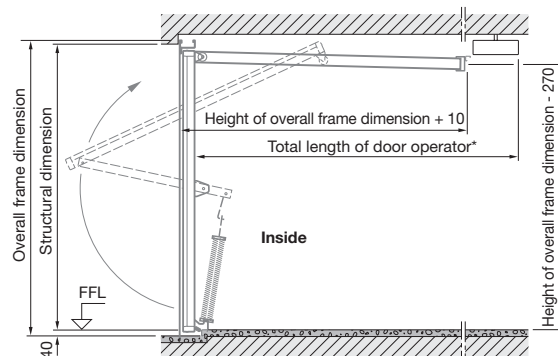
Up-and-Over garage doors

Subject to modifications

Position of anchors



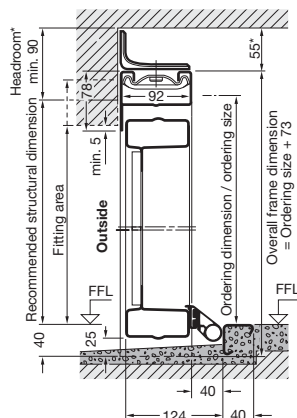
Doors with operator



* Total length of operators:
 3200 mm up to door height 2500 mm ProMatic/SupraMatic
 3450 mm up to door height 2750 mm ProMatic/SupraMatic

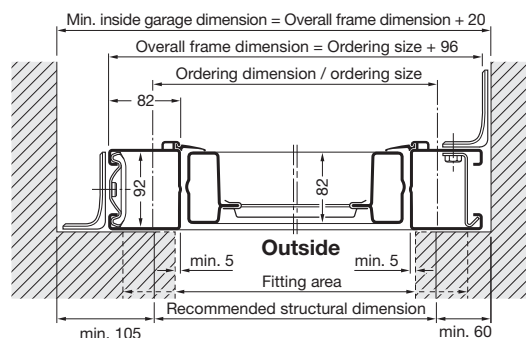
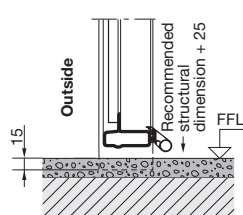
Fitting behind the opening

With bottom stop



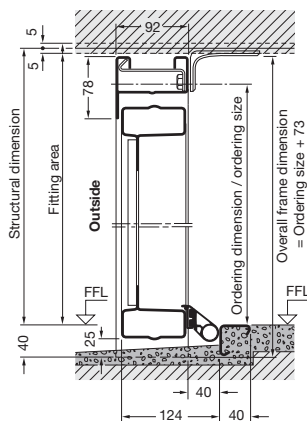
* With ProMatic/SupraMatic operator: 65 mm clearance

Without bottom stop

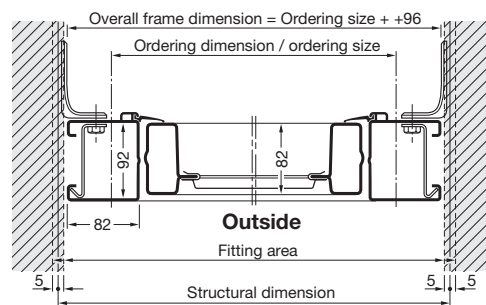
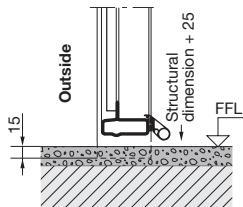


Fitting in the opening

With bottom stop



Without bottom stop



Deviations in styles with panels due to door size

Note:

The proportions of the doors shown on the following pages correspond to door size 2500 x 2125 mm. Other door sizes may have a different design.

Styles 971, 973, 975 and 977:	From ordering width 2000 up to 2925 mm	4 rows of panels in width and 1 edge trim on each side
	From ordering width 2930 up to 3865 mm	6 rows of panels in width
	From ordering width 3870 up to 5000 mm	8 rows of panels in width
Style 973:	Up to ordering height 2250 mm	4 rows of panels in height
	From ordering height 2255 up to 2375 mm	5 rows of panels in height